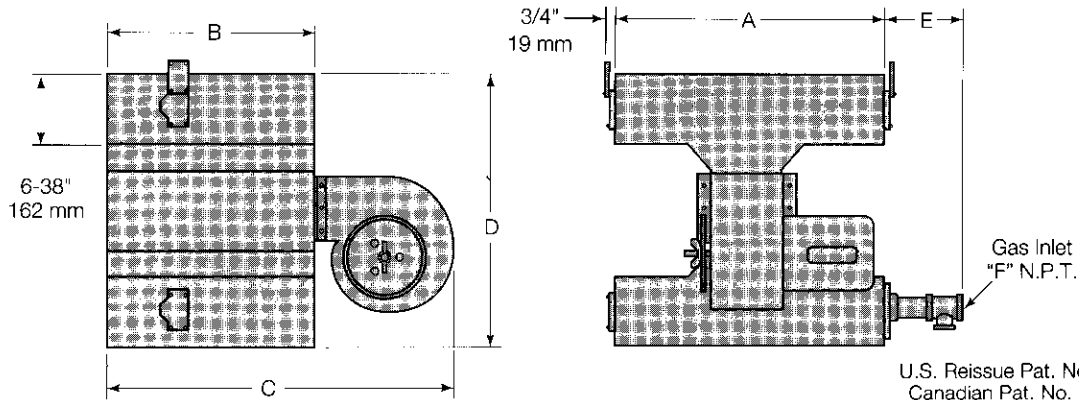


ECLIPSE AIR HEAT BURNERS

Dimensions—Series "TAH"

Data 140-3

7/95



English Units

Burner Cat. No.	Assy. No.	Total Input MM Btu/Hr.		Blower Cat. No.	Dimensions In Inches						Cross Sect. Area Sq. In.	Check Valve Pipe Style*	Approx. Ship Wt. Lbs.
		0.8MM Btu/Ft.	1.0MM Btu/Ft.		A	B	C	D	E	F			
240 TAH	109449	2.4	3.0	65-84S-1/3	12-1/8	12-5/16	25-1/4	18-1/2	9-1/2	2	230	A	140
280 TAH	109450	2.8	3.5	65-84S-1/2	12-1/8	12-5/16	25-1/4	24-7/8	9-7/8	2	269	C	157
320 TAH	109451	3.2	4.0	66-94S-3/4	12-1/8	12-5/16	25-1/4	30-7/8	9-7/8	2	307	C	183
360 TAH	109452	3.6	4.5	66-94S-3/4	12-1/8	18-13/16	33-3/4	36-7/8	9-7/8	2	345	C	203
400 TAH	109453	4.0	5.0	66-94S-3/4	24-1/8	18-13/16	33-3/4	18-7/8	9-7/8	2	383	D	225
440 TAH	109454	4.4	5.5	66-94S-3/4	24-1/8	18-13/16	33-3/4	24-7/8	10-1/2	3	422	C	243
480 TAH	109455	4.8	6.0	67-115S-1-1/2	24-1/8	18-13/16	33-3/4	30-7/8	10-1/2	3	460	C	279
520 TAH	109456	5.2	6.5	67-115S-1-1/2	24-1/8	18-13/16	35-3/8	36-7/8	10-1/2	3	498	C	310
560 TAH	109457	5.6	7.0	67-115S-2	36-1/8	18-13/16	35-3/8	18-7/8	10-1/2	3	536	D	342
600 TAH	109458	6.0	7.5	67-115S-2	36-1/8	18-13/16	35-3/8	24-7/8	10-1/2	3	575	C	375
640 TAH	109459	6.4	8.0	67-115S-2	36-1/8	18-13/16	35-3/8	30-7/8	10-1/2	3	613	C	390
680 TAH	109460	6.8	8.5	78-126S-3	36-1/8	18-13/16	38-13/16	36-7/8	10-1/2	3	651	C	425
720 TAH	109461	7.2	9.0	78-126S-3	36-1/8	18-13/16	38-13/16	42-7/8	10-1/2	3	689	C	450

Metric Units

Burner Cat. No.	Assy. No.	Total Input kW		Blower Cat. No.	Dimensions In Millimeters						Cross Sect. Area Sq. Cm.	Check Valve Pipe Style*	Approx. Ship Wt. Kgs.
		769 kW/M	962 kW/M		A	B	C	D	E	F			
240 TAH	109449	703	879	65-84S-1/3	308	313	641	470	241	2"	1484	A	64
280 TAH	109450	821	1026	65-84S-1/2	308	313	641	632	251	2"	1736	C	71
320 TAH	109451	938	1172	66-94S-3/4	308	313	641	784	251	2"	1981	C	83
360 TAH	109452	1055	1319	66-94S-3/4	308	478	857	937	251	2"	2226	C	92
400 TAH	109453	1172	1466	66-94S-3/4	613	478	857	479	251	2"	2471	D	102
440 TAH	109454	1290	1612	66-94S-3/4	613	478	857	632	267	3"	2723	C	110
480 TAH	109455	1407	1759	67-115S-1-1/2	613	478	857	784	267	3"	2968	C	127
520 TAH	109456	1524	1905	67-115S-1-1/2	613	478	899	937	267	3"	3213	C	141
560 TAH	109457	1641	2052	67-115S-2	918	478	899	479	267	3"	3458	D	155
600 TAH	109458	1759	2198	67-115S-2	918	478	899	632	267	3"	3710	C	170
640 TAH	109459	1876	2345	67-115S-2	918	478	899	784	267	3"	3955	C	177
680 TAH	109460	1993	2491	78-126S-3	918	478	986	937	267	3"	4200	C	193
720 TAH	109461	2110	2638	78-126S-3	918	478	986	1089	267	3"	4445	C	204

* See page 2 for check valve piping styles.

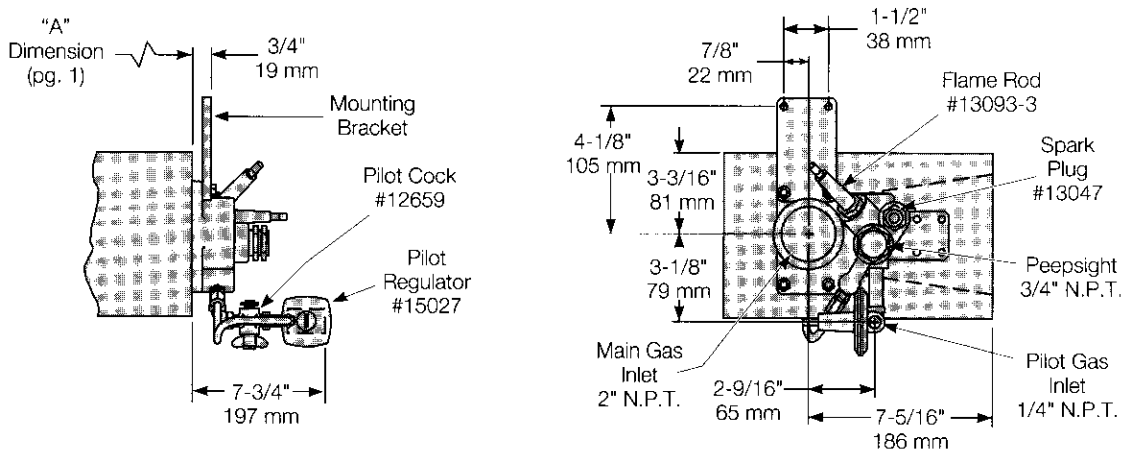
† See Data 140-5 for blower details.



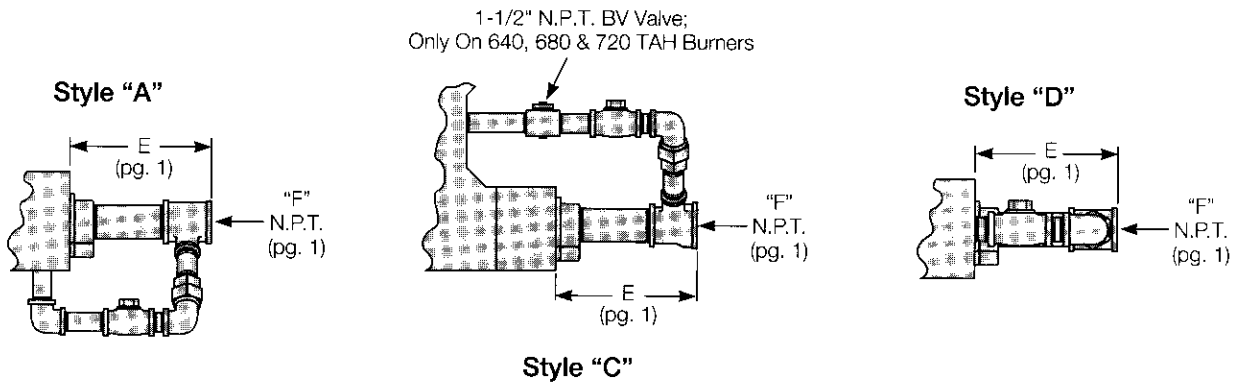
ECLIPSE COMBUSTION

Dimensions (Continued)

Pilot Components & Dimensions



Check Valve Pipe Styles

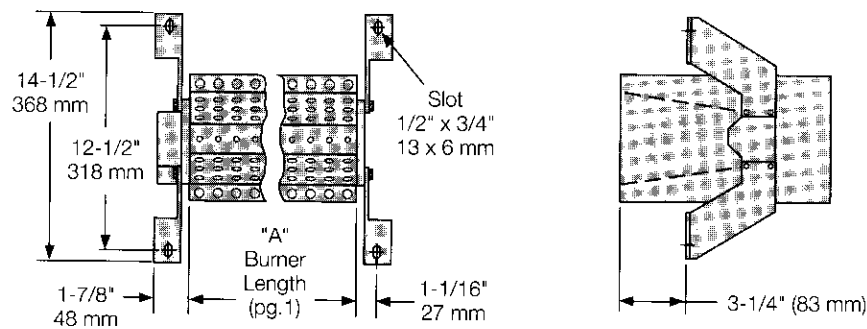


Check Valve Assembly No.

Burner	Assy.	N.P.T.
240 TAH	550096	1"
280 thru 400 TAH	550100	1-1/4"
440 thru 720 TAH	550104	1-1/2"

Mounting Options

201 AH Brackets For Slot Firing



Note: Continuous flange mounting is not recommended for TAH burners, as it may restrict burner thermal expansion.



Offered By:

Power Equipment Company
2011 Williamsburg Road
Richmond, Virginia 23231
Phone (804) 236-3800
Fax (804) 236-3882

www.peconet.com